



QuikDeck®

Suspended Access System

BRAND >
INDUSTRIAL SERVICES®



QuikDeck®
BY BRAND SAFWAY

› Suspended Access System

Designed for access challenges in the air, around curves, in tight corners and underneath structures, BrandSafway's proprietary and patented QuikDeck® Suspended Access System improves productivity, reduces costs, saves time and, most importantly, increases safety. A factory floor in the air, QuikDeck allows multiple craftspeople to easily and efficiently work side by side and use heavy equipment.

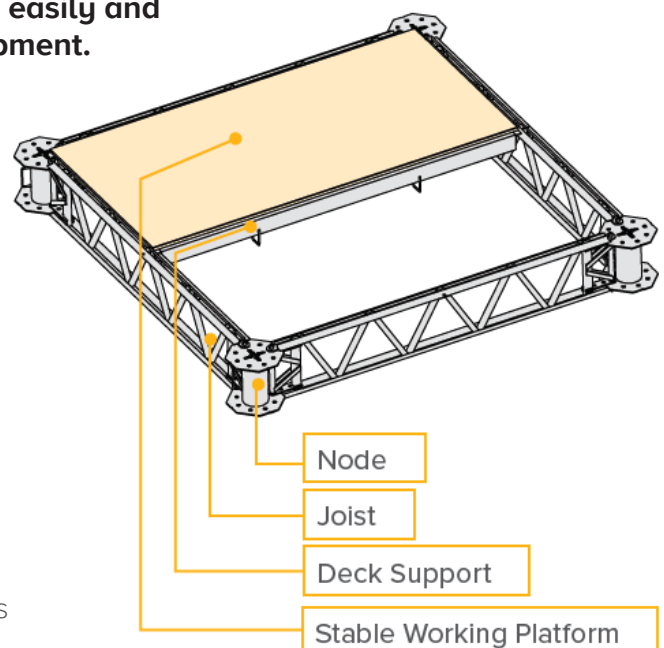
- + 40% Faster on average
- + 90% Less hazard exposure
- + 60% Less tie-in points

+ Basic Components

- › **Joists:** Carry the load
- › **Nodes:** Connect joists
- › **Pins:** Connect joists to nodes
- › **Deck Supports:** Support decking panels
- › **Beam Clamps:** Connect platform to structure
- › **Chains:** Suspend platform
- › **Plywood Decking:** Provide solid work surfaces
- › **Guardrails & Toe Boards:** Ensure safety

+ Benefits

- › Can be built in the air or on the ground
- › Components easily handled by one person
- › No special tools or skills required
- › Can be leapfrogged and relocated as work progresses
- › Standard load capacities: 25–75 psf (122–366 kg/m²)
- › Can be used in conjunction with other access and scaffold equipment



- 1** Components break down to fit through narrow openings.
- › Efficient design and fewer components means easier, faster assembly



- 2** Platforms can be built “in the air” or on the ground and hoisted into place.
- › No special tools required



- 3** Solid platform gives workers sturdy surface to work on.
- › Decreases chance of falling equipment, debris or tools



QuikDeck is the world's leading suspended access system as a result of its **speed, versatility, and safety**. The system is fully adaptable and used in a wide variety of markets including:



> Infrastructure



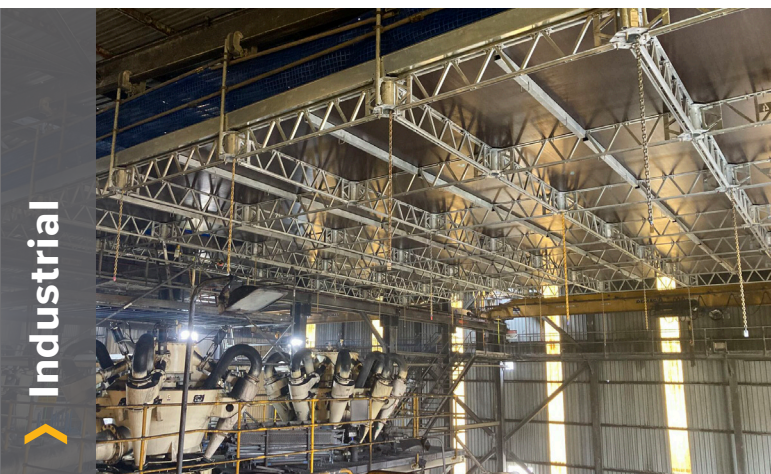
> Roof Structures



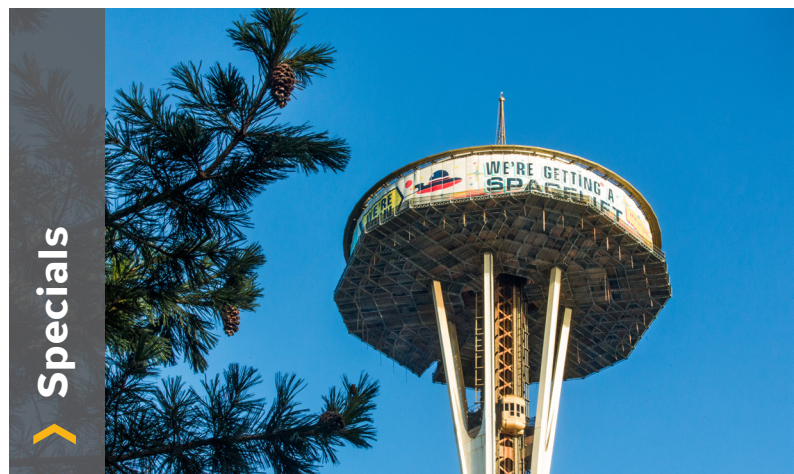
> Offshore



> Stadiums



> Industrial



> Specials

**“I can’t believe I am on a scaffold,
it feels like a factory floor!”**

Owner Production Facility, Australia



> Ready to Deliver

+Safety

First and Foremost

+Expertise

Industry-Leading Depth/Range

+Solutions

The Broadest Portfolio

+Productivity

Increased at Every Level

+Local

Management and Labor

Contact us in Australia to find out more...

Call us on **1800 133 894** or email ausinfo@brandsafway.com

Brand Energy and Infrastructure Services Australia Pty. Ltd

©2023 All rights reserved | www.beis.com

BRAND >
INDUSTRIAL SERVICES®